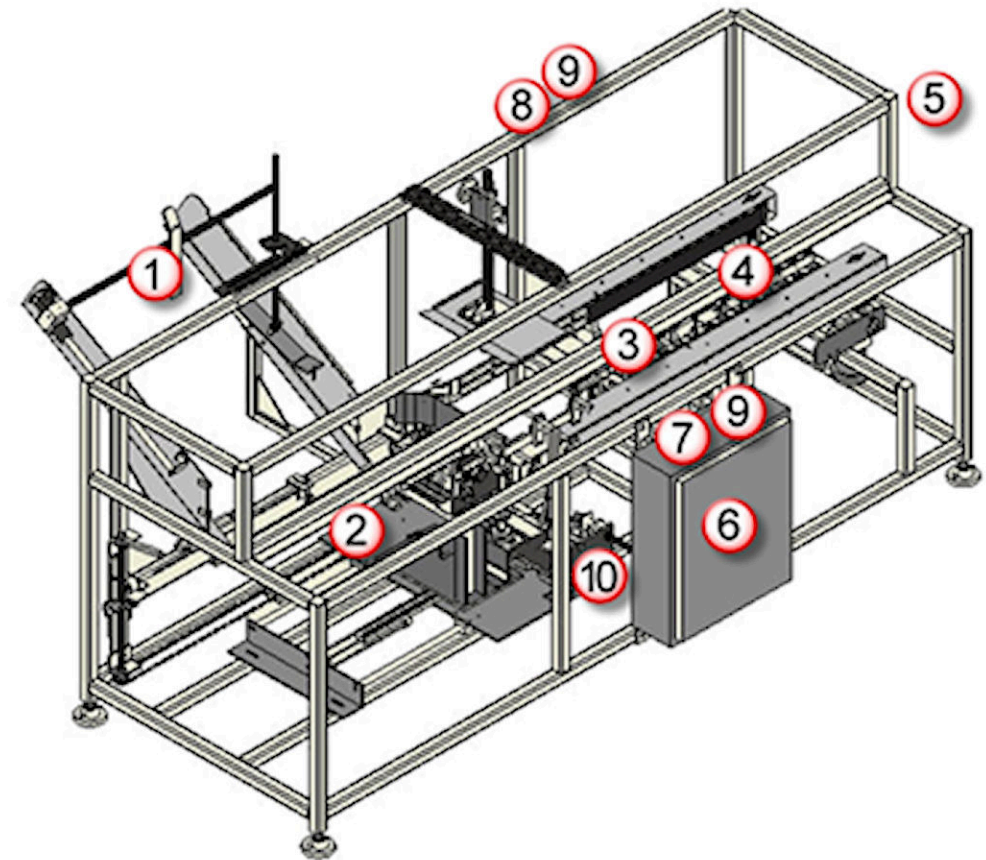
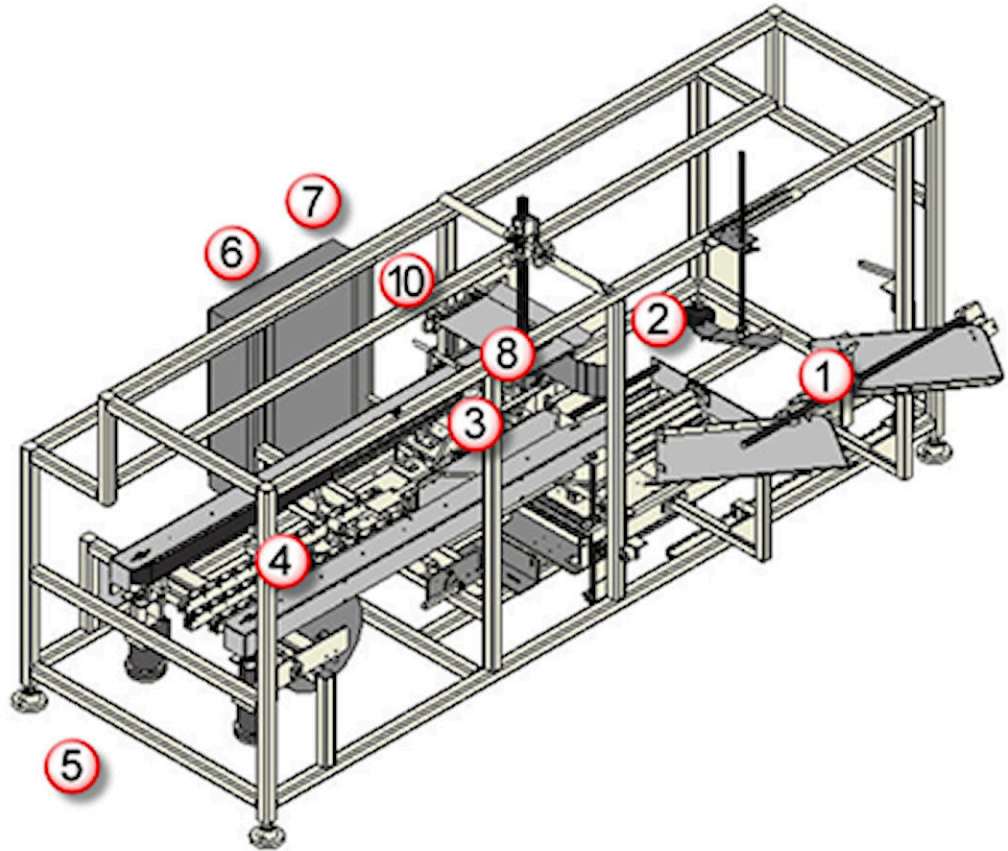


CE 1518 T

Machine Overview



1. Infeed Area / Blank Hopper
2. Erection Section
3. Conveyor System (Dual Belt Drive, Skate Wheel Base)
4. Taping Section
5. Discharge Area

6. Electrical Cabinet
7. Control Panel
8. Status Tower
9. Emergency Stop (E-Stop)
10. Air System